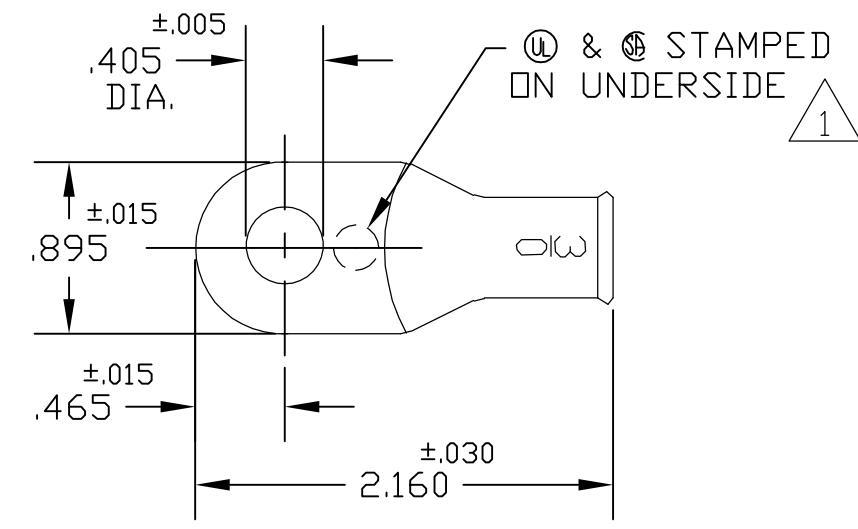
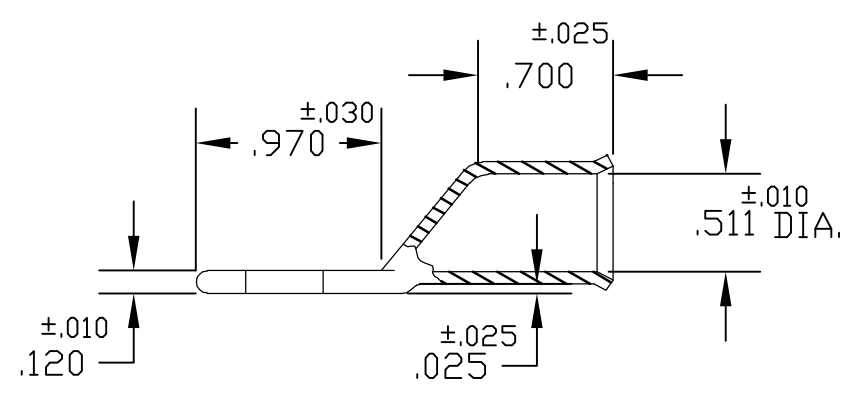


THIS DRAWING IS UNPUBLISHED. RELEASED FOR PUBLICATION
 © COPYRIGHT - BY TYCO ELECTRONICS CORPORATION. ALL RIGHTS RESERVED.

LOC	DIST	REVISIONS					
		P	LTR	DESCRIPTION	DATE	DWN	APVD
G	50		A4	REL PER ECR-07-004339	02APR07	JR	DD



1 UL OR CSA DOES NOT APPLY TO THIS PART NUMBER.



1	ACTIVE	----	STANDARD	NICKEL PL.	1526805-4
	ACTIVE	30381-01	STANDARD	TIN PLATE	1526805-2
	ACTIVE	30381-00	STANDARD	PLAIN	1526805-1
	STATUS	AET P/N	PACKAGING	FINISH	PART NUMBER

THIS DRAWING IS A CONTROLLED DOCUMENT.		DWN D.A.A 11/1/00	Tyco Electronics Corporation Harrisburg, PA 17105-3608				
DIMENSIONS: INCHES		CHK H.D.F 11/1/00				NAME -	
		APVD H.D.F 11/1/00	PRODUCT SPEC -				
TOLERANCES UNLESS OTHERWISE SPECIFIED: 0 PLC ± - 1 PLC ± - 2 PLC ± - 3 PLC ± - 4 PLC ± - ANGLES ± -		APPLICATION SPEC -	3/0 STANDARD TERMINAL				
MATERIAL COPPER ASTM B-152		FINISH -	WEIGHT -	SIZE A3	CAGE CODE 00779	DRAWING NO C-1526805	RESTRICTED TO -
CUSTOMER DRAWING			SCALE 1:1	SHEET 1 OF 1	REV A4		